

Station T Valves: 1.5-4" (40-100 mm)

T with pressure relief valve

Lances: 1.5-4" (40-100mm)

External Line Valves: 1.5-4" (40-100 mm)

See price list #360

Station T Valves

One Station T is required for each VR Series receiver in a vacuum conveying system

Heavy duty aluminum construction with air-actuated positive-sealing disc. Indicator cap on shaft helps identify malfunctioning station.

24 VDC or 115 VAC models.

Inlet/Outlet Diameter in./mm	Model Numbers	
	24 VDC	115/1/60
1.5/38	SV-15-24	SV-15-11
2.0/50	SV-20-24	SV-20-11
2.5/64	SV-25-24	SV-25-11
3.0/76	SV-30-24	SV-30-11
4.0/102	SV-40-24	SV-40-11

Options: (Show as separate line item on order)

DeviceNet Cable(s); In lieu of standard cables available only in 24VDC Part # DNET-DIN-SMC

T with Pressure Relief Valve

(For dry air conveying systems)

Base model (2"): Part # 06-2805

T with pressure relief valve

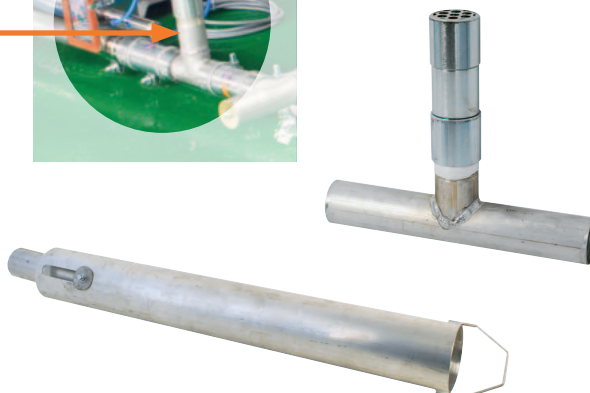


Station T Valves 1.5" to 4" O.D.

Lances

Used to remove material from bulk containers.

Lance O.D. in./mm	Aluminum	Stainless Steel
1.5/38	02343	02347
2.0/50	02344	02462
2.5/64	02519	02463
3.0/76	02345	02464
4.0/102	02346	02465

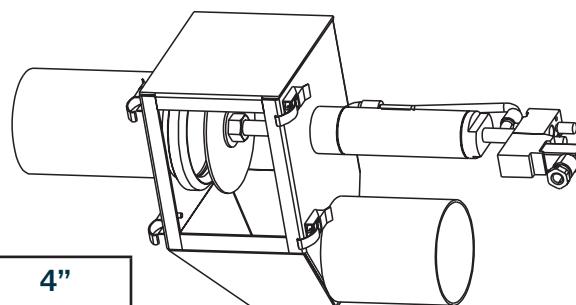


Pick-up lance with adjustable air-flow, 1.5" to 4" O.D.

External Line Valve (Includes coupler)

Provides in-line control of vacuum material flow. Typically used in common material line conveying systems (in conjunction with a receiver's Tee Valve) to isolate flow of material to a receiver from a common material supply line. Equipped with pneumatic cylinder and solenoid. Flow through design, SS plunger, neoprene seal and SS housing. Cleanout provided through no-tools side cover.

Diameter	1.5"	2"	2.5"	3"	4"
Part #	ELV-15-24	ELV-20-24	ELV-25-24	ELV-30-24	ELV-40-24



ELV-30-24