

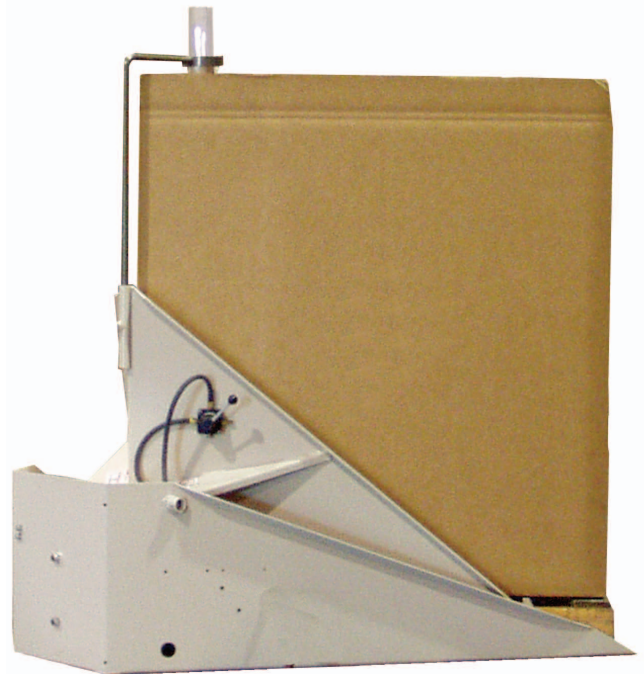
Floor level platform for gaylords that automatically tilts to one corner allowing continuous evacuation of material.

Economical tilt table accepts all common Gaylord sizes, up to 2500 pounds (1135 kg) and is fitted with convenient hand-operated control.

- **Automatic Tilting**
Begins when the Gaylord lightens to approximately 900 pounds (400 kg)
- **Assured Unloading**
Gaylord reaches a steep 45 degree angle, assuring nearly any material will fall by gravity into one corner, allowing easy vacuum off-loading
- **Easy Placement of Gaylord**
Floor-level table allows Gaylord placement with simple hand trucks or fork trucks
- **Hand Operated Control**
Preferred over foot controls that are often damaged by fork lifts or inconvenient to reach
- **Gaylord Covers**
Off-set or puncture original lids or purchase optional fabric lid

Plus:

- Check valve to prevent accidental lowering
- Pneumatic operation: 80 -100 psi required (5.5 – 6.9 bar)
- 2 Year Warranty



TT-2500 floor level

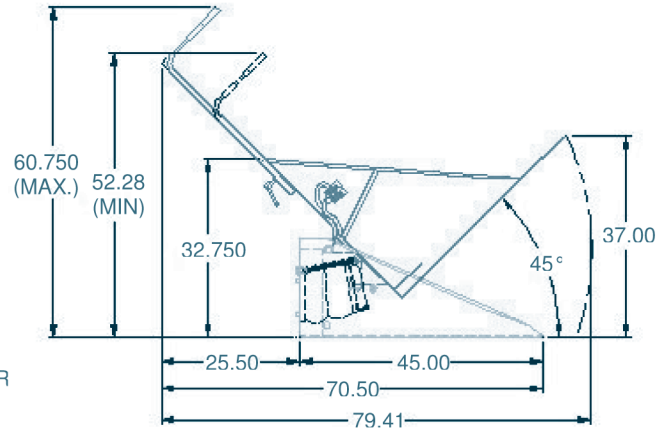
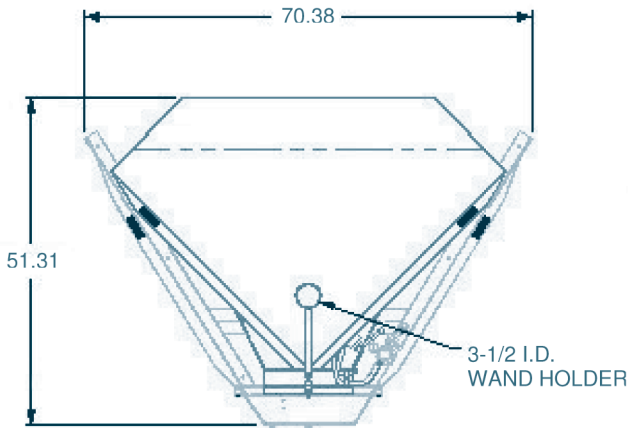
Specifications

TT-2500

Footprint (in Load Position) 71" wide x 52" deep (180 x 132 cm)

Footprint (in Full Tilt Position) 72" wide x 80" deep (183 x 203 cm)

Accommodates containers up to 52" Square x 60" High (132 x 152 cm)



Tilt Table mid-position



Tilt Table up-position

Accessory:

(Show as separate line item on order – shipped separately) See Price List # 490

Gaylord Cover: 45" X 48" (114 x 123 cm) Flexible Cover w/ elastic edges, window, feed tube and vent ports Part # GC-1

(Custom size Gaylord covers are available).