

### VR series loaders provide transfer of plastic pellets and regrind using centralized vacuum pumps and controls.

VR series receivers provide vacuum transfer of plastic pellets and regrinds using centralized vacuum pumps and controls. Standard models are made for flange mounting to existing bins or hoppers. A vacuum “T” sequencing valve, purchased separately, is required for each receiver when multiples are used in a system. Optional pulsed air blowback package eliminates regrind screen clogging or erratic material discharge.

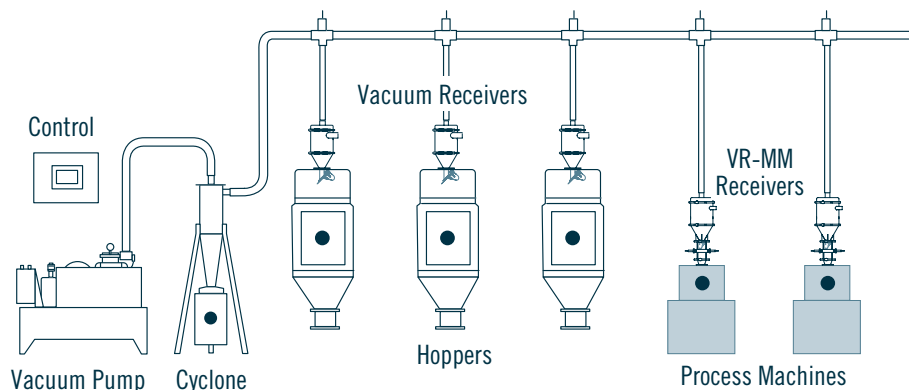
- Stainless Steel Body**  
 Stainless steel body provides a scratch-resistant interior and has a durable NOVATEC silver painted exterior
- Modular Design, Quick-Release Clamps**  
 Easy access for quick cleanout and material change-over – no tools required
- Material Inlet Deflector/Flapper Check Valve**  
 Has neoprene gasket for positive seal and allows the receiver to be used in common material line systems
- Tangential Material Inlet**  
 Provides cyclonic air/material separation which minimizes material degradation
- Dump Valve With Integrated Level Switch**  
 Included on standard and blowback models



VR-1

#### Plus:

- Reinforced 20 mesh stainless steel pellet screen
- Inlet/outlet diameters of 1.5” to 4” (3.8 – 10.16 cm)
- 24 VDC or 115 VAC control voltage
- 2 Year Warranty



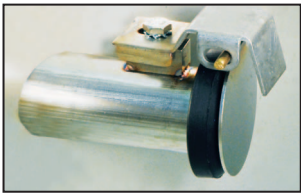
## Many popular features not found on other receivers



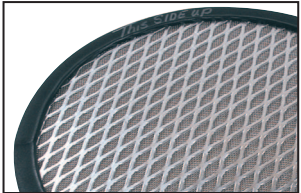
Heavy duty stainless steel construction. Stainless steel band clamp with safety latch provides easy access (requires no tools).



Custom molded neoprene gasket on full-flow dump throat assures tight seal and no loss of vacuum. Unique design keeps resin from contacting gasket surface.



Tangential inlet provides cyclonic flow minimizing material degradation. Internal flapper with neoprene seal allows common line system use.



Expanded aluminum supports 20 mesh stainless steel fines filter screen.



2 lb. Glass Size



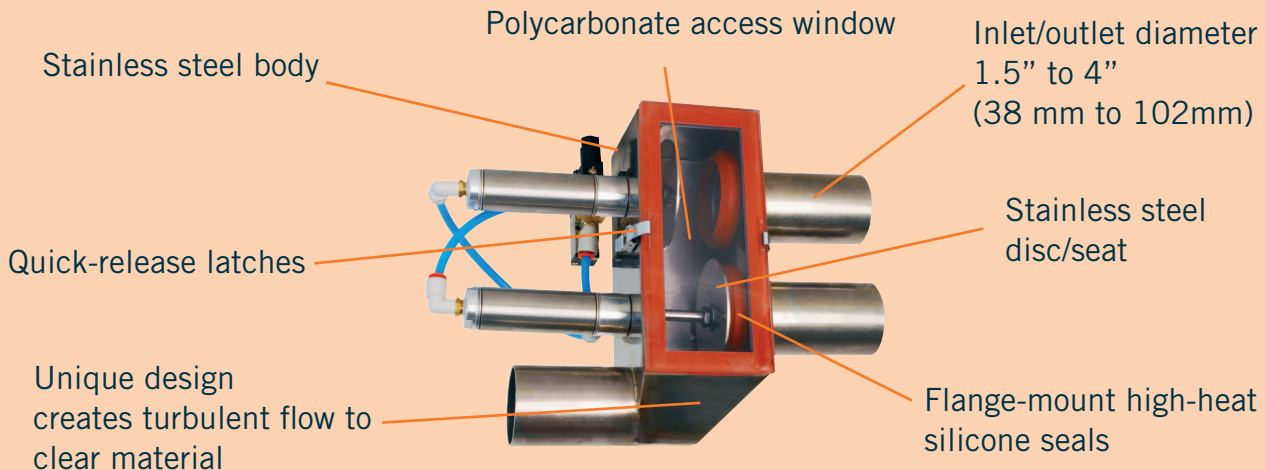
8-16 lb. Glass Size

Machine mount models are supplied with a height-adjustable photo eye level sensor, base plate adapter, dump valve and quick disconnect clamps for easy clean out.

### Receiver Accessory

#### External Proportioning Valve

External proportioning valve provides proportioning/layering of materials when used with VR Receivers. Optional LOGO! Control may be programmed for proportioning. Shipped with coupler. Part # EPV-15T - Choose 24VDC or 115 VAC. See separate data sheet.



# Specifications

Model/ Configuration		Volume		Capacity*		Standard Line Size		Alternate Line Size			Alternate Control Voltage † 115/1/60
		ft.	liters	lb.	kg	in.	mm	in.	mm	Part Number	Part Number
VR-5	Standard	1/8	3.5	5	2.3	1.5	38	2	50	LINE-VR5-20	N/A
VR-5-B	Blowback							2.5	64	LINE-VR5-25	VOLT-VR-BB-11
VR-8-MM	Machine Mount										VOLT-VR-MM-11
VR-12	Standard	1/3	9	12	5.4	2	50	1.5	38	LINE-VR12-15	N/A
VR-12-B	Blowback							2.5	64	LINE-VR12-25	VOLT-VR-BB-11
VR-12-MM	Machine Mount										VOLT-VR-MM-11
VR-19	Standard	1/2	14	19	8.6	2	50	1.5	38	LINE-VR19-15	N/A
VR-19-B	Blowback							2.5	64	LINE-VR19-25	VOLT-VR-BB-11
VR-16-MM	Machine Mount							3	76	LINE-VR19-30	VOLT-VR-MM-11
VR-38	Standard	1	28	38	17.2	2.5	64	1.5	36	LINE-VR38-15	N/A
VR-38-B	Blowback							2	50	LINE-VR38-20	VOLT-VR-BB-11
VR-76	Standard	2	56	76	34.5	2.5	64	2	50	LINE-VR76-20	N/A
VR-76-B	Blowback							3	76	LINE-VR76-30	VOLT-VR-BB-11
								4	102	LINE-VR76-40	
VR-114	Standard	3	84	114	51.7	3	76	2	50	LINE-VR76-20	N/A
VR-114-B	Blowback							2.5	64	LINE-VR76-30	VOLT-VR-BB-11
								4	102	LINE-VR76-40	

\* Resin capacity based on 38 lb./ft<sup>3</sup> bulk density. \*\*Alternate line size is a no-charge option (Show as separate line item on order)

† 24VDC standard – 115V is a no charge option. See part numbers in chart above. (Show as separate line item on order)

JIT Glass Hopper is 2 lbs. for all models - see alternates below.

**Accessories:** (Separate line item on order and shipped separately- see price list #310)

### Pulsed Blowback Control:

Available on all blowback packages Compact, mini-PLC control for generating adjustable blowback signals when central control is not equipped for receivers with blow back. Installs near receiver.

24VDC = Part# BC-1-24 115/1/60 = Part# BC-1-11

### External Proportioning Valve with Coupler:

Available for all receivers.

(See separate data sheet and price list #360)

### Proportioning Valve Control:

Compact mini-PLC control for generating adjustable proportioning signals when central control is not equipped with proportioning capability.

Utilizes the receiver's load signal and is located conveniently near the receiver's proportioning valve at the receiver... not the central control panel.

24VDC = Part# PC-1-24 115/1/60 = Part# PC-1-11



### Alternate Glass Hopper Sizes for Existing VL-12-MM and VL-19-MM: (In lieu of 2 lb.)

Field conversion kit includes base, glass, top adapter plate and discharge valve.

- 8 lb. Glass: Part # asVL-MM-8
- 12 lb. Glass: Part # asVL-MM-12
- 16 lb. Glass: Part # asVL-MM-16

### Station "T" Sequencing Valve:

Required for all receivers.

(See separate data sheet and price list #360)

### Level Switch, Capacitance:

30mm diameter, 2m cable - Available for all receivers. Part Number LSC-30



**Options:** (Separate line item on order. See price list #310)

### DeviceNet Cables:

(in lieu of standard cables, 24VDC only)

For standard VR models: Part # DNET-VR

For Blowback models: Part # DNET-VRBB

For Machine Mount models:

Part # DNET-VRMM

(No-charge for DNET-VR and DNET-VRBB)

### Alternate JIT Glass Hopper size:

8 lb. Part # VR-MM-8

12 lb. Part # VR-MM-12

16 lb. Part # VR-MM-16

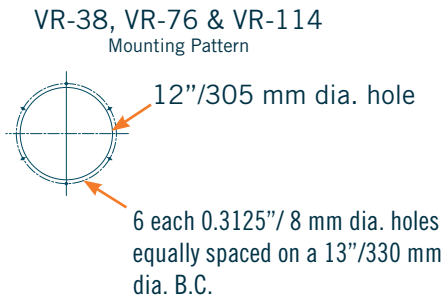
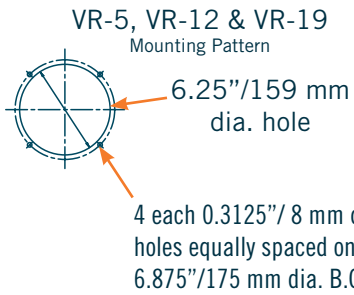
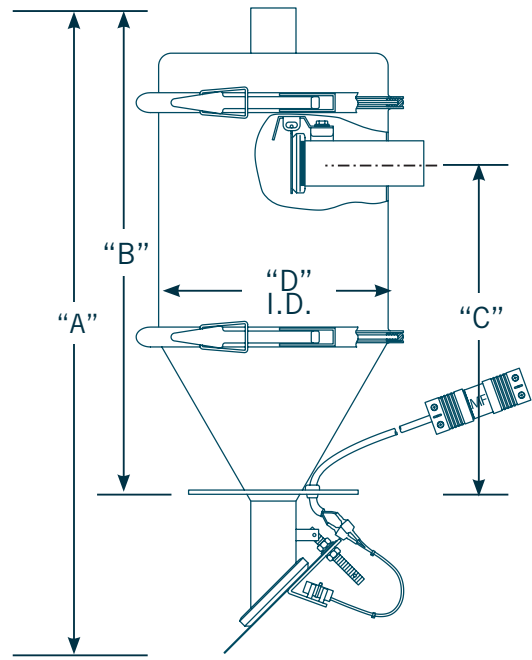
### High Heat Packages for Discharge, Filter Assemblies and Inlet Check Valve:

For above 250°F See price list #310

**Custom Drilling of MM Flange:** Part # CDB-VLMM (Standard base flange is blank for customer drilling.)

# Dimensions & Weights

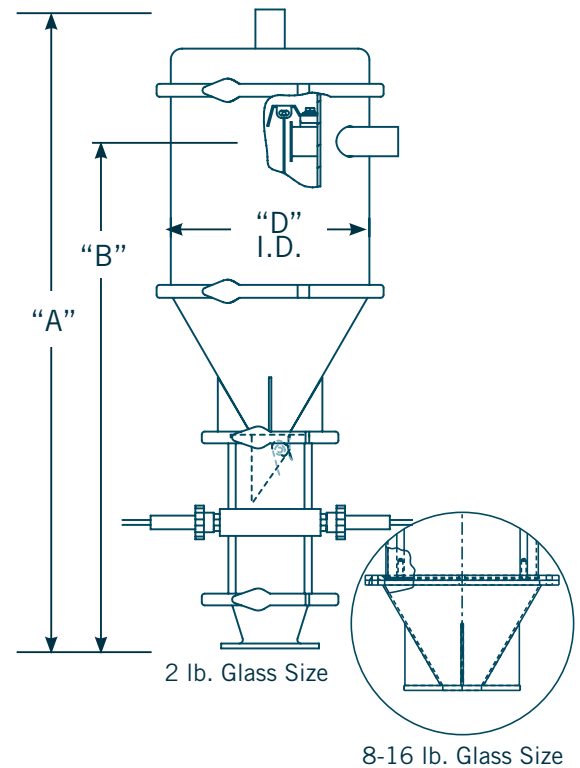
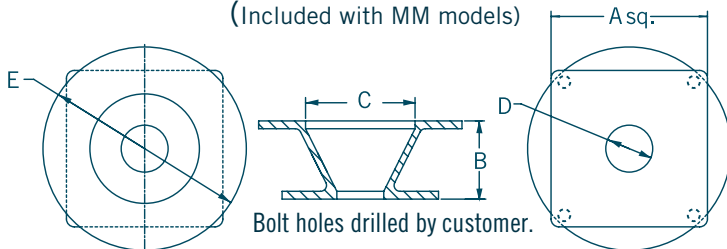
Hopper Loading Packages										
Part Number	A		B		C		D		Shipping Wgt.	
	in.	cm	in.	cm	in.	cm	in.	cm	lb.	kg
VR-5	18	46	11	27	4.3	11	6	15.2	25	11
VR-12	24	62	18	45	10.6	22	10	25	40	18
VR-19	28	72	22	55	14.6	37	10	25	45	21
VR-38	34	86	25	63	17.7	45	16	41	55	25
VR-76	43	109	35	88	27	69	16	41	65	30
VR-114	42	107	34	87	25	64	24	61	120	55



Machine Mount Packages (2 lb. Glass)									
Part Number	A		B		D		Shipping Wgt.		
	in.	cm	in.	cm	in.	cm	lb.	kg	
VR-5 MM	22	56	15.6	39.6	6	15.2	30	14	
VR-12 MM	28.6	72.6	22	56	10	25	45	21	
VR-19 MM	32.6	82.8	26	66	10	25	50	23	

Notes: 8 lb. glass: add 3.7" to A & B, 12 lb. glass: add 7.7" to A & B, 16 lb. glass: add 10.7" to A & B.

## Machine Mount Adapter (Included with MM models)



Machine Mount Adapter Dimensions												
Glass Size lb./kg	Model	A		B		C		D		E		
		in.	cm	in.	cm	in.	cm	in.	cm	in.	cm	
2/0.9	VR-5 & 12	5	12.7	2.5	6.4	3.5	8.9	1.5	3.8	6.5	16.5	
2/0.9	VR-19	6.5	16.5	2.5	6.4	3.5	8.9	2.25	5.7	6.5	16.5	
8/3.6	VR-12 & 19	6	15.2	5.7	14.5	8	20.3	2	5.1	10	29.2	
12/5.4	VR-12 & 19	6	15.2	5.7	14.5	8	20.3	2	5.1	10	29.2	
16/7.3	VR-12 & 19	6	15.2	5.7	14.5	8	20.3	2	5.1	10	29.2	

Accepting MasterCard, VISA and American Express