

Combination take-off box/purge valve allows conveying and line clearing with ambient or dry air.

The stainless steel VPV series Vacuum Purge Valve provides a compact and easily cleaned, combination take-off box and purge valve for drying hoppers or other material vessels. Mounted below the hopper, the valve's upper chamber is gravity filled with material which is then introduced into the conveying line by opening the pneumatic purge valve. The valve closes during conveying, allowing the remainder of vacuum-on time to clean the conveying line with ambient or dry air.

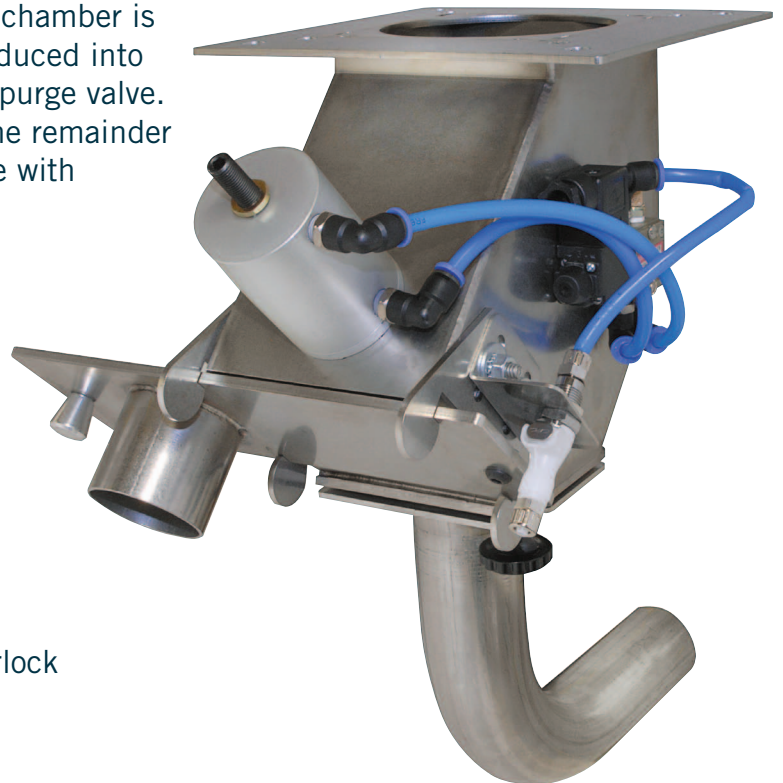
- **All Stainless Construction**
For years of trouble-free service
- **Material Outlet Elbow Rotates 360°**
Requires no tools and facilitates installation
- **Dual Mounting Plate**
Allows installation on a 4.75" or a 6" (12 or 15.2 cm) bolt pattern
- **Tool-free, Safe Draining and Cleanout**
Through a sliding drain port with safety-interlock
- **Adjustable-Stroke Purge Valve Cylinder**
For optimizing operation with any material
- **Fixed Conveying Air Supply Port**
Simplifies dry air supply line installation
- **20 Mesh Internal Screen On Conveying Air Inlet**
To prevent pellet dribble or undesirable ingestion of contaminants during vacuum

Plus:

- 24 VDC operation
- 2-Year warranty

Application:

The VPV combination take-off box/purge valve attaches to the hopper discharge. Adapters are available.



Specifications

90° Elbow Discharge

Part Number	A		B		C	
	in.	mm	in.	mm	in.	mm
VPV-15	1.5	40	7	180	15.63	380
VPV-20	2.0	50	7	180	15.63	380
VPV-25	2.5	65	7	180	15.63	380

Standard operating voltage: 24 VDC

Straight Stub Discharge

VPV Part Number	Stub Length	
	in.	mm
VPV-15S	6	150
VPV-20S	3	75
VPV-25S	3	75

Standard operating voltage: 24 VDC

Options: Separate line item on order. (See price list #360)

Operating Voltage: 115/1/50-60: Part # VOLT-VPV-12 (No Charge)
230/1/50: Part # VOLT-VPV-21

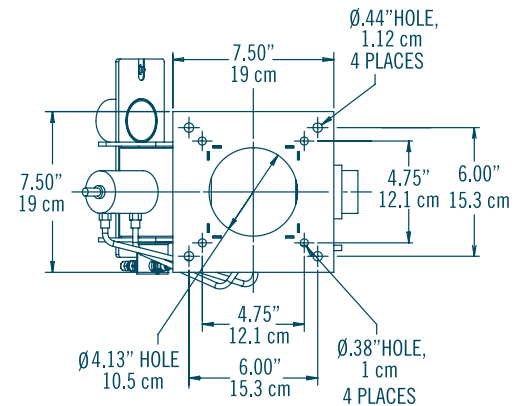
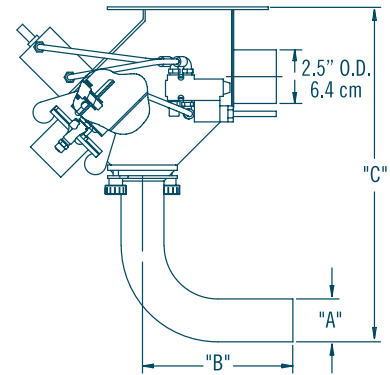
DeviceNet Cable(s): in lieu of standard cable(s) 24VDC
Part # DNET-DIN-SMC

Straight Stub Discharge: See chart below (No Charge)

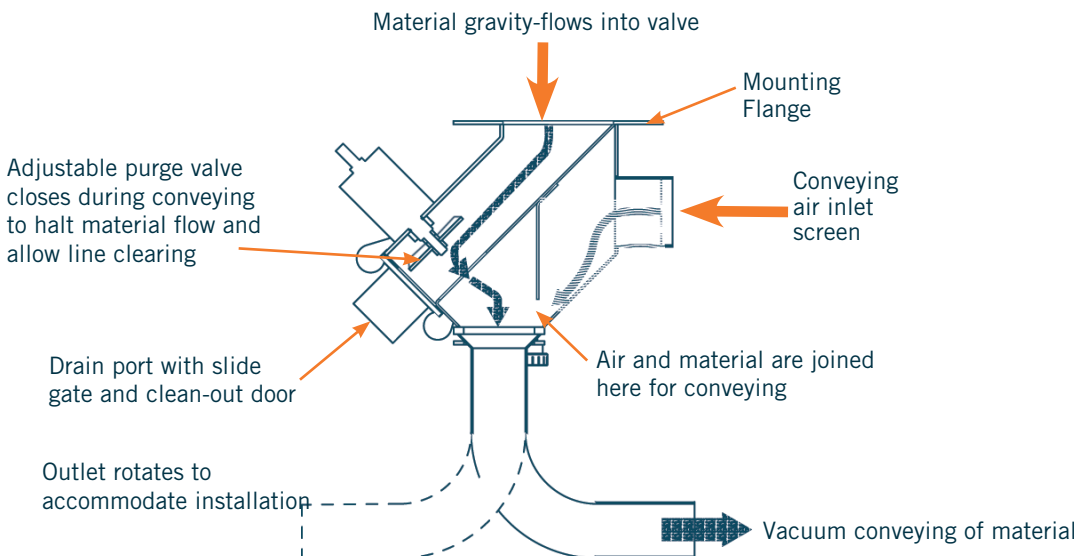
Accessories: Separate line item on order and shipped separately. (See price list #360)

Hopper to VPV Adapters: (For all models)

- 8" (20.3cm) sq. bolt pattern Part Number # ADP-VPV-800
- 9.75" (24.8cm) sq. bolt pattern Part Number # ADP-VPV-975
- 14" (35.6cm) sq. bolt pattern Part Number # ADP-VPV-1400



HOW THE VPV WORKS



Accepting MasterCard, VISA and American Express