



# Vacuum Take-off Boxes and Probes

— 5 —  
**YEAR**  
warranty

Take-off boxes provide connection(s) for vacuum conveying from a material vessel.

Vacuum take-off boxes are designed to direct materials from a single source to as many as 5 destinations at a time using either ambient or dry air conveying.



## Stainless Steel Construction

Heavy gauge stainless steel bodies for all models except the VTB-14 (aluminum).

## Easy Cleanout

Tool-less full-opening cleanout door on the bottom.

## Ambient or Dry Air Conveying

A cartridge filter is used for ambient air conveying or choose probes and stub designed for dry air conveying.

## Standard and Dry Air Probes

Choose either standard aluminum or stainless steel probes with a rotating collar for air adjustment to modulate material flow – or aluminum dry air convey probes.

## Choose Number of Positions and Line Size

Choose from 1-5 positions and line size from 1.5 to 3”.

## Silo/Surge Bin Model

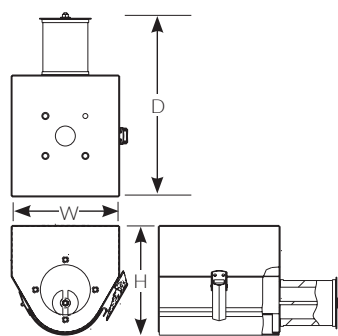
The VTB-14 features all aluminum construction in 1 or 2 position models and is ideal for higher volume drying hopper, surge bin or silo use.

### Plus

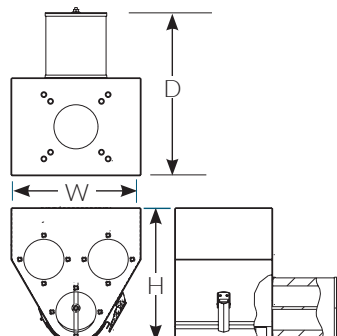
- › Mounting hardware is included for installation
- › Square mounting flange with square bolt-hole pattern
- › 5-Year warranty.

Specifications:

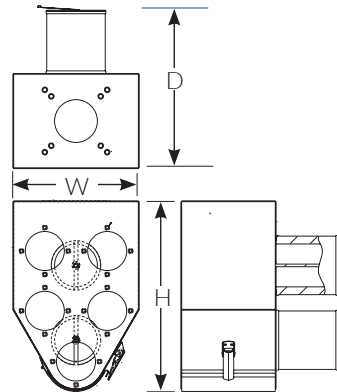
Model Number	Width		Depth		Height		Number of Positions	Square Bolt Hole Pattern		Top Opening I.D.	
	in	mm	in	mm	in	mm		in	mm	in	mm
*VTB-3-1	8	203	13.83	330	8.2	208	1	3	76	1.5	38
*VTB-3-3	12	305	15.7	399	12.7	323	2/3				
*VTB-3-5	12	305	15.7	399	18.3	465	4/5				
*VTB-4-1	8	203	13.83	330	8.2	208	1	4.75 & 6	121 & 152	4.13	105
*VTB-4-3	12	305	15.7	399	12.7	323	2/3				
*VTB-4-5	12	305	15.7	399	18.3	465	4/5				
VTB-8-1	12	305	14.3	363	10.2	259	1	8	203	6	152
VTB-8-3	12	305	16.2	412	12.7	323	2/3				
VTB-8-5	12	305	16.2	412	18.3	465	4/5				
VTB-9-1	12	305	16.8	427	10.2	259	1	9.75	248	8	203
VTB-9-3	12	305	18.7	475	12.7	323	2/3				
VTB-9-5	12	305	18.7	475	18.3	465	4/5				
VTB-14-1	15.25	387	15.25	387	6.4	198	1	14	356	12	305.
VTB-14-3					12.6	320	3				
VTB-14-5					18.4	467	5				



1 Position VTB



2/3 Position VTB



4/5 Position VTB

Accessories:

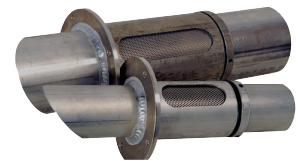
Probes: Aluminum, Stainless Steel, Dry Air Probe\*, Dry Air Stub\*\*

Available in 1.5", 2", 2.5", and 3" O.D. (40, 50, 65 and 75 mm).

\* Choose dry air probe in addition to dry air stub for dry air convey.

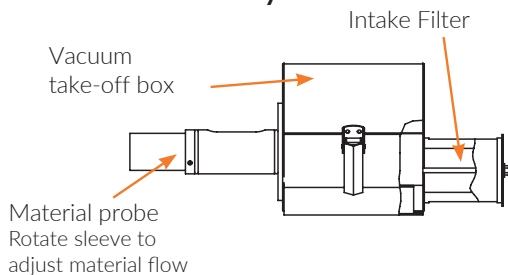
\*\*Choose dry air stub for dry air conveying in lieu of the standard cartridge filter.

Not available on VTB-14-1.



Material probes with adjustable air flow, 1.5" - 4" O.D.

Ambient Air Convey



Dry Air Convey

